

ROTATING CLAMPING



**G I Z E T A
I M P I A N T I**

GI-ZETA IMPIANTI S.r.l.

25030 via Vanzago, 2 PARATICO (BS)
ITALIA

uff.commerciale@gizetaimpianti.it

www.gizetaimpianti.it

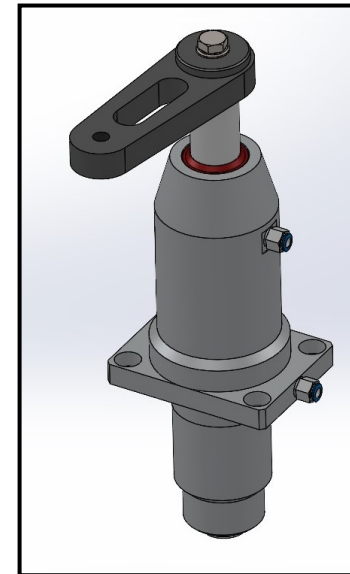
Ph. 035 917975 - Fax 035 917782

COMMERCIAL
CODE

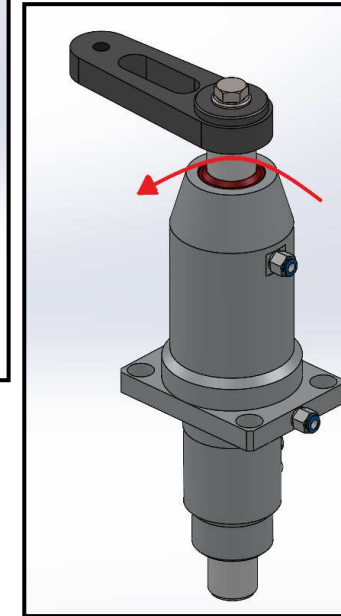
SM SMEL 3 0008 BB

MAIN TECHNICAL FEATURES

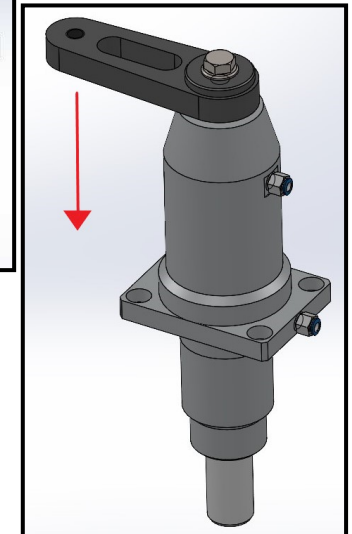
Fluid	[/]	aria
Bore	[mm]	40
Stroke	[mm]	38.5
Weight	[kg]	4,5
Working position	[/]	qualsiasi
Rotation angle	[°]	90
Max. working pressure	[bar]	10
Working temperature	[°C]	-20...+80
Max. Clamping force (6 bar)	[N]	565
Max. Release force (6 bar)	[N]	565



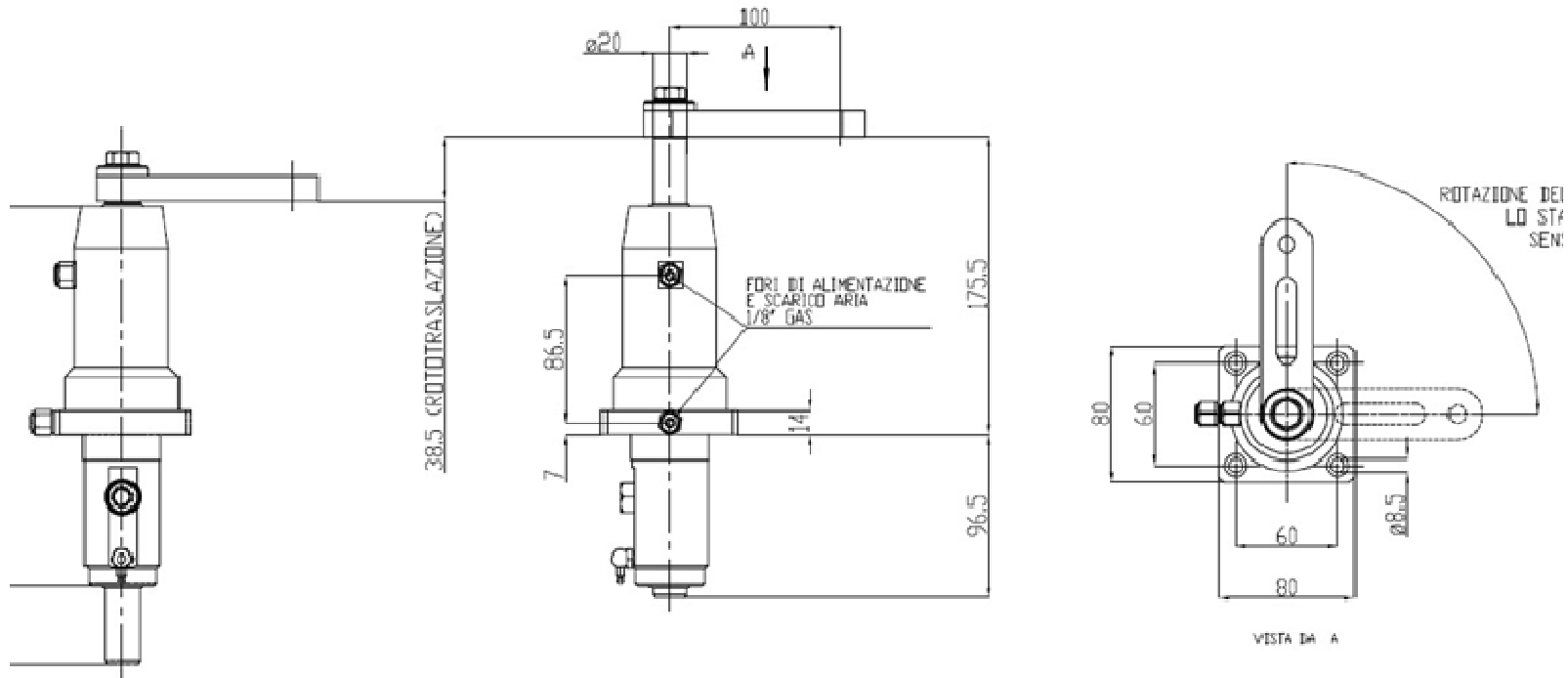
1 - OPEN



2 - ROTATED

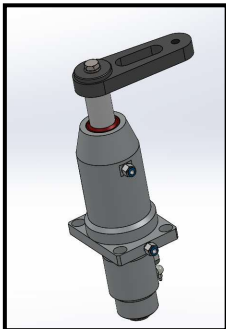


3 - LOCKED

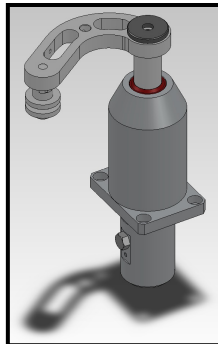


AVAILABILITY OF CUSTOM CONFIGURATIONS

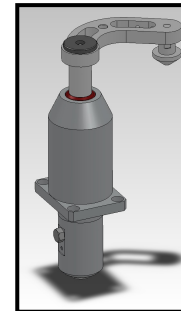
Middle fixing flange solution



Cylindrical solution with custom ferrule



Cylindrical solution, edited ferrule and counterclockwise rotation



* For further technical information, please contact our Technical Office.