

HORIZONTAL LEVER CLAMPING



**G I Z E T A
I M P I A N T I**

GI-ZETA IMPIANTI S.r.l.

25030 via Vanzago, 2 PARATICO (BS)
ITALIA

uff.commerciale@gizetaimpianti.it

www.gizetaimpianti.it

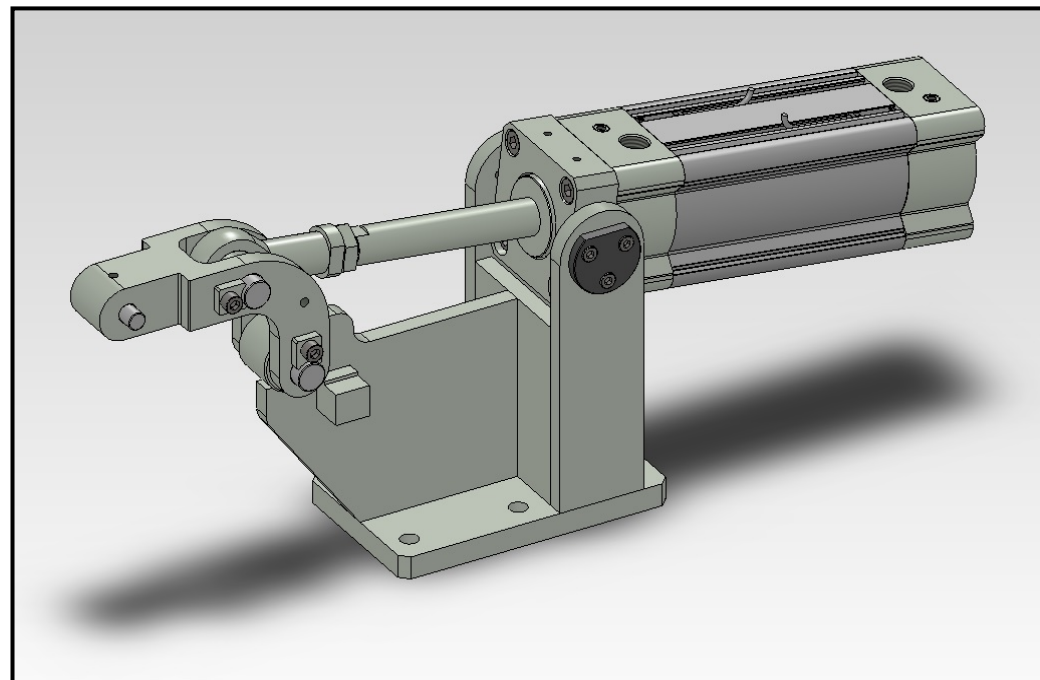
Ph. 035 917975 - Fax 035 917782

COMMERCIAL
CODE

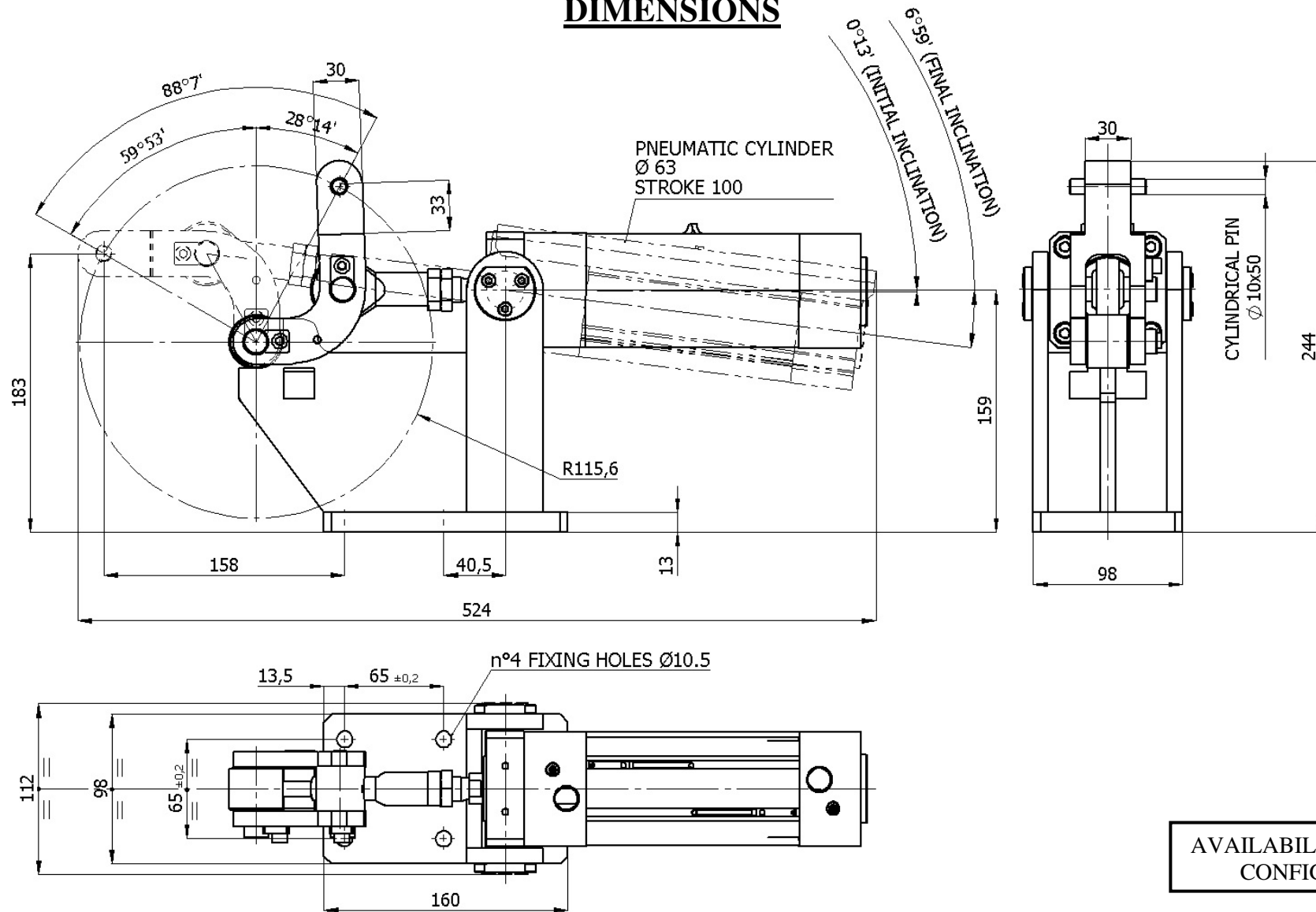
SM SMEL 3 0001 BA

MAIN TECHNICAL FEATURES

Fluid	[/]	Air
Bore	[mm]	63
Stroke	[mm]	100
Weight	[kg]	15
Working position	[/]	Any
Rotation angle	[°]	88.12
Max. working pressure	[bar]	12
Working temperature	[°C]	-20...+80
Clamping force (6 bar) tangent to rotation (static load)	[N]	865
Release force (6 bar) tangent to rotation (static load)	[N]	780



DIMENSIONS



AVAILABILITY OF CUSTOM CONFIGURATIONS

* For further technical information, please contact our Technical Office.