

# VERTICAL LEVER CLAMPING



**G I Z E T A  
I M P I A N T I**

**GI-ZETA IMPIANTI S.r.l.**

25030 via Vanzago, 2 PARATICO (BS)  
ITALIA

[uff.commerciale@gizetaimpianti.it](mailto:uff.commerciale@gizetaimpianti.it)

[www.gizetaimpianti.it](http://www.gizetaimpianti.it)

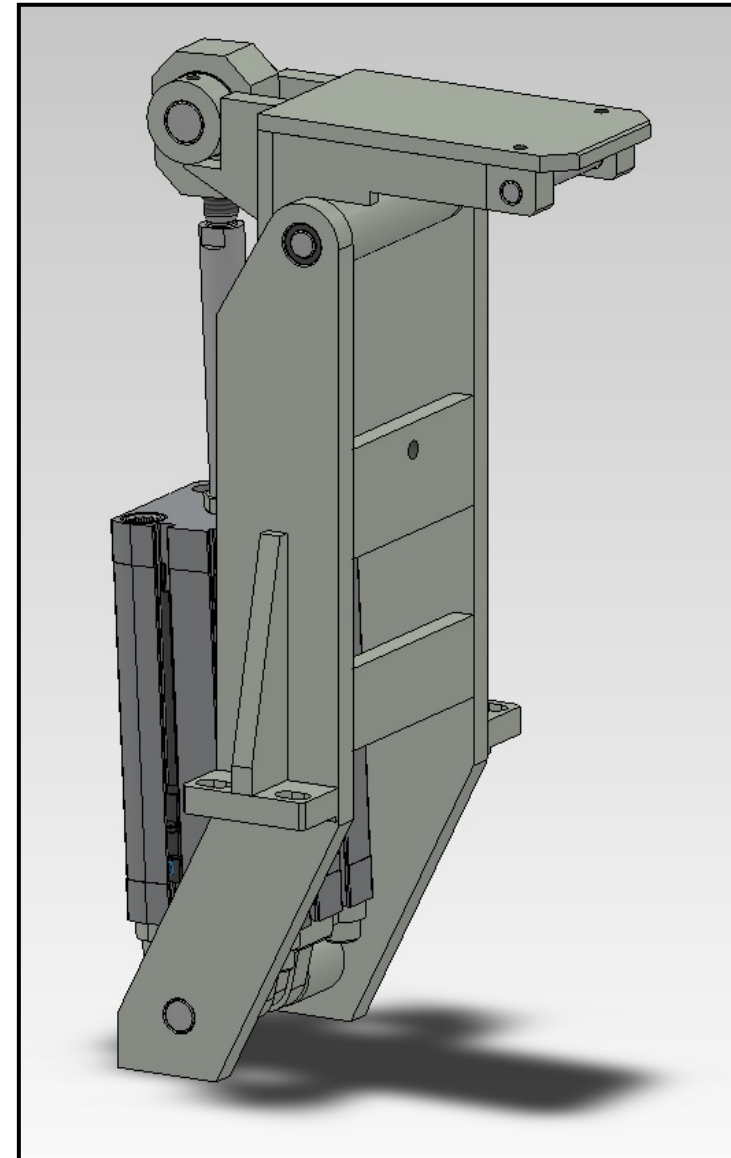
Ph. 035 917975 - Fax 035 917782

COMMERCIAL  
CODE

**SM SMEL 1 0004 GA**

## MAIN TECHNICAL FEATURES

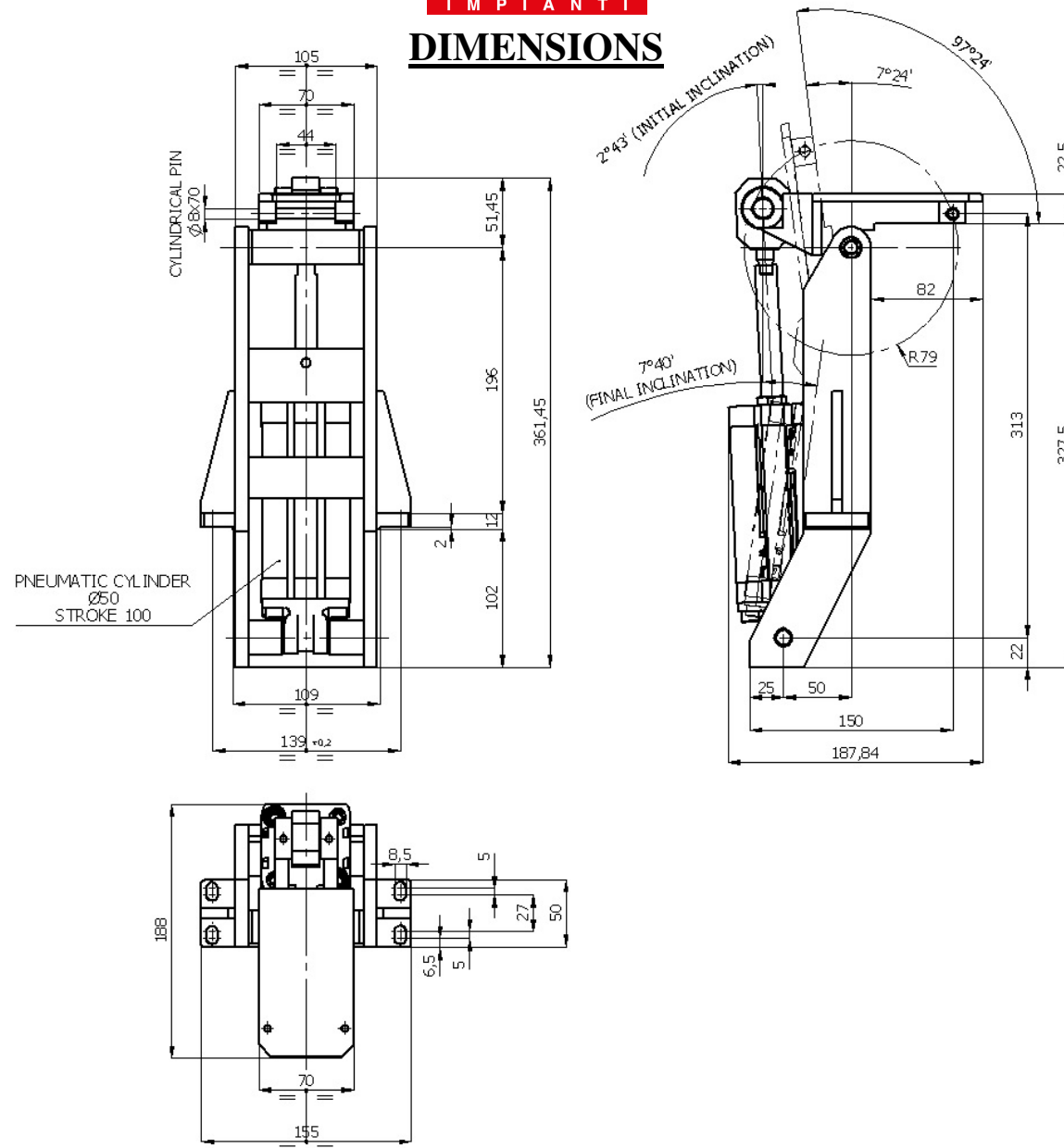
Fluid	[ / ]	Air
Bore	[ mm ]	50
Stroke	[ mm ]	100
Weight	[ kg ]	7
Working position	[ / ]	Any
Rotation angle	[ ° ]	97.4
Max. working pressure	[ bar ]	12
Working temperature	[ °C ]	-20...+80
Clamping force (6 bar) tangent to rotation (static load)	[ N ]	947
Release force (6 bar) tangent to rotation (static load)	[ N ]	796





G I Z E T A  
I M P I A N T I

## DIMENSIONS



AVAILABILITY OF CUSTOM  
CONFIGURATIONS

\* For further technical information, please contact our Technical Office.