

ROTATING ACTUATOR 100



**G I Z E T A
I M P I A N T I**

GI-ZETA IMPIANTI S.r.l.

25030 via Vanzago, 2 PARATICO (BS)
ITALIA

uff.commerciale@gizetaimpianti.it

www.gizetaimpianti.it

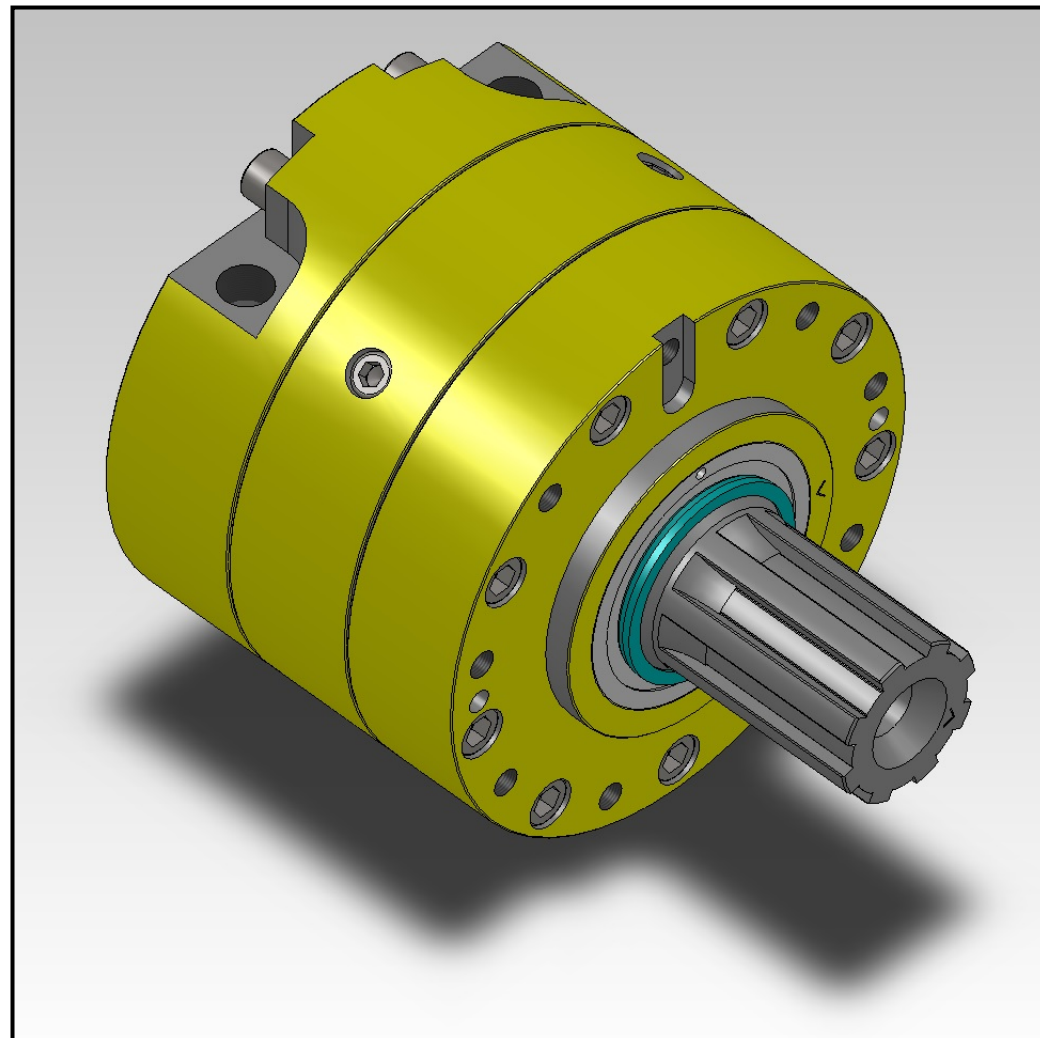
Ph. 035 917975 - Fax 035 917782

COMMERCIAL
CODE

SG ATRO 2 0001

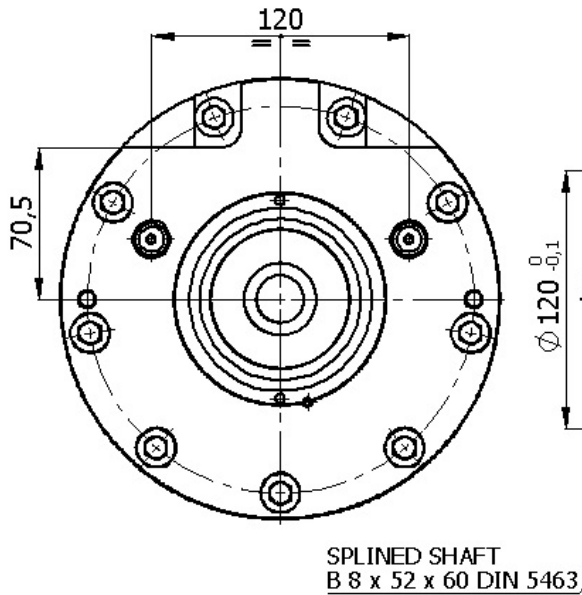
MAIN TECHNICAL FEATURES

Fluid	[/]	olio
Rotation angle	[°]	186
Weight	[kg]	37
Working position	[/]	qualsiasi
Max. Working pressure	[bar]	200
Working Temperature	[°C]	-30...+80
Max. radial force F_{RA}	[N]	7000
Max. static axial force F_{AX}	[N]	7000
Max. dynamic axial force F_{AX}	[N]	2300
Max. Torque	[Nm]	1875

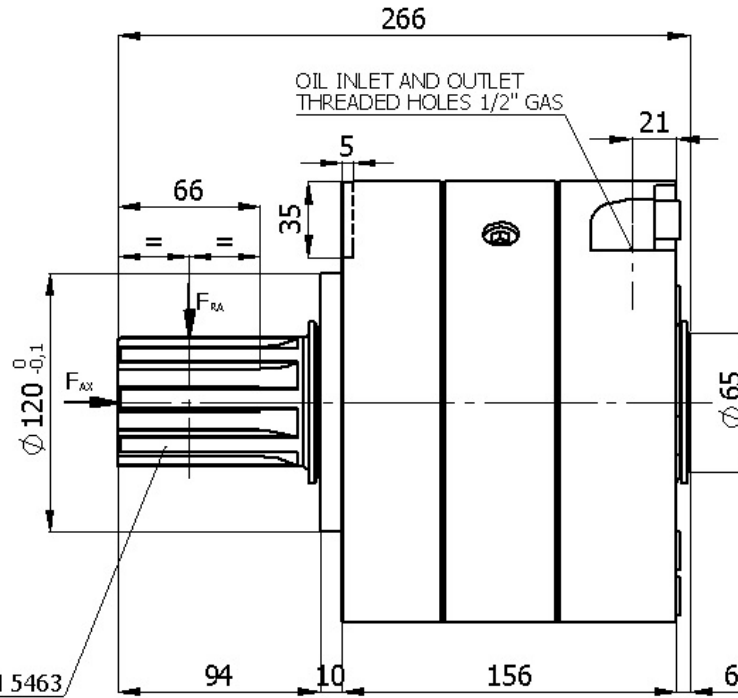


DIMENSIONS

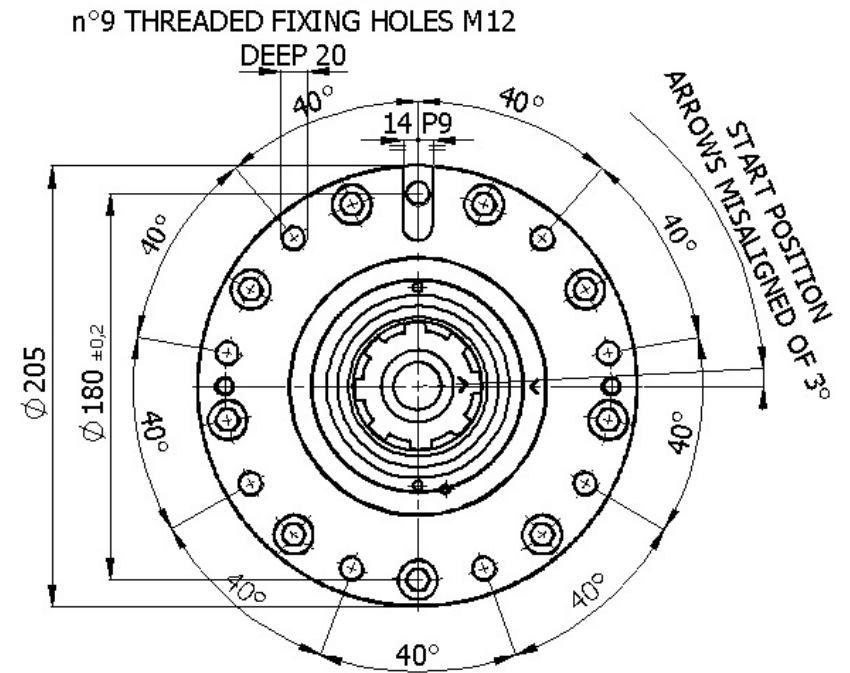
BACK VIEW



SIDE VIEW



FRONT VIEW



AVAILABILITY OF CUSTOM
CONFIGURATIONS

* - For further technical information, please contact our Technical Office.