

ROTATING ACTUATOR 50



**G I Z E T A
I M P I A N T I**

GI-ZETA IMPIANTI S.r.l.

25030 via Vanzago, 2 PARATICO (BS)
ITALIA

uff.commerciale@gizetaimpianti.it

www.gizetaimpianti.it

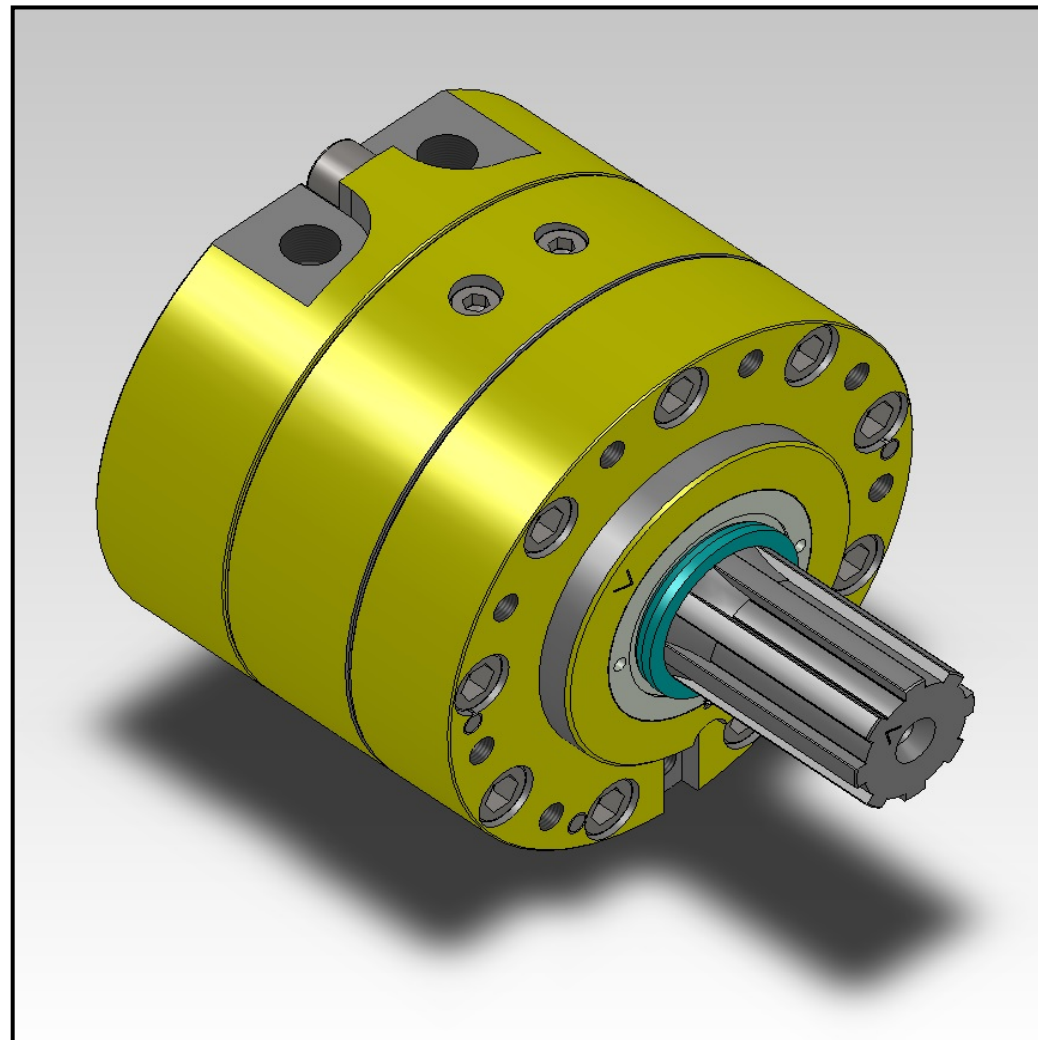
Ph. 035 917975 - Fax 035 917782

COMMERCIAL
CODE

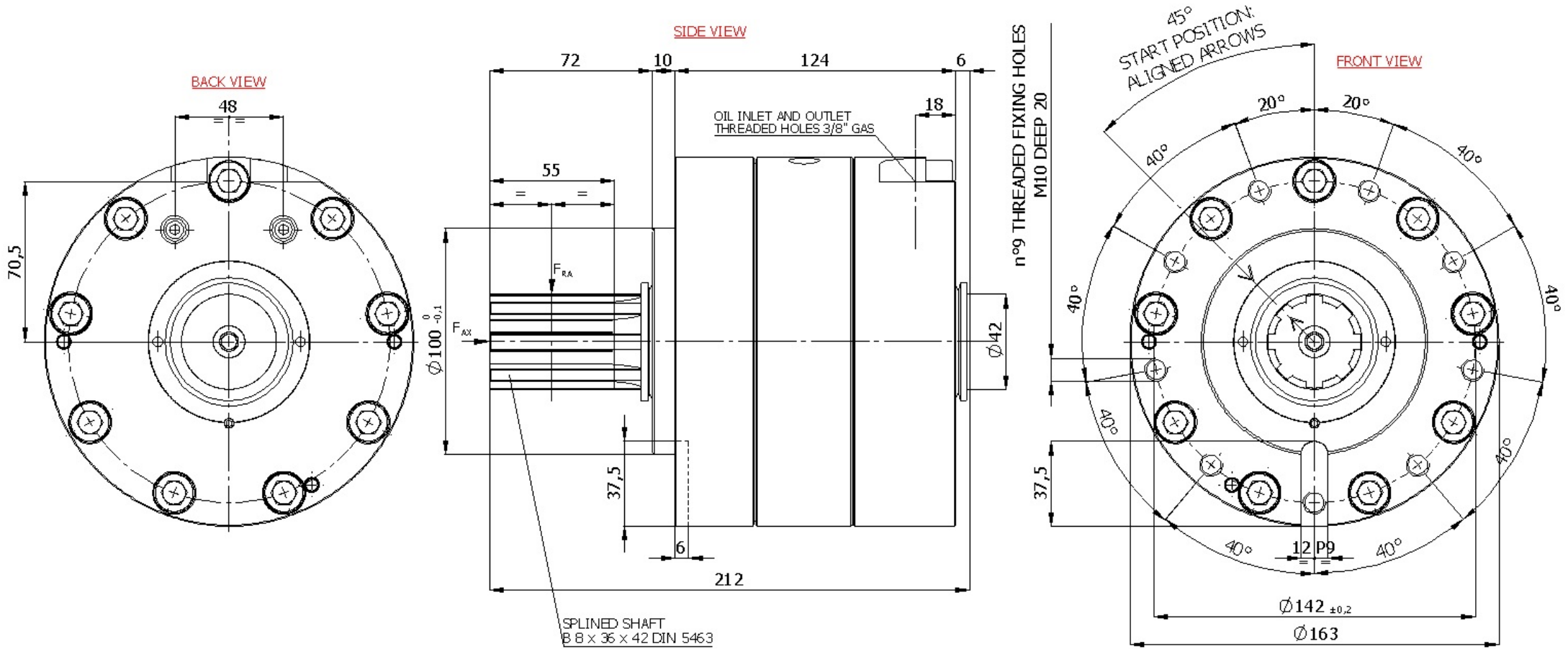
SG ATRO 1 0001

MAIN TECHNICAL FEATURES

Fluid	[/]	Oil
Rotation angle	[°]	270
Weight	[kg]	19
Working position	[/]	any
Max. Working pressure	[bar]	200
Working Temperature	[°C]	-30...+80
Max. radial force F_{RA}	[N]	3000
Max. static axial force F_{AX}	[N]	3600
Max. dynamic axial force F_{AX}	[N]	1200
Max. Torque	[Nm]	1092.5



DIMENSIONS



AVAILABILITY OF CUSTOM CONFIGURATIONS

* For further technical information, please contact our Technical Office.